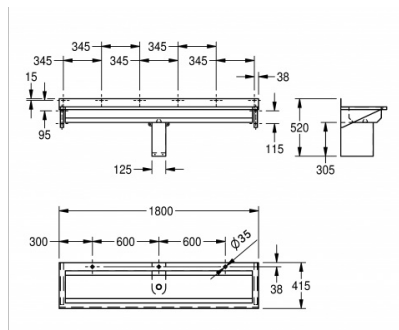


# WASH TROUGH: SANX180

SANX180 | 2000090077

PRODUCT GROUP : Wash basins & Washtroughs | ARTICLE FAMILY : Washtroughs | ARTICLE GROUP : SANX180++ |  
MODEL RANGE : SATURN



Wall mounted washtroughs with tap deck and optional rear splashbacks incorporating manual or electronic self-closing water controls, manufactured from 1.2mm thick stainless steel. 1800mm Washtrough with Tap Deck for 3 users

1800mm Washtrough with Tap Deck for 3 users

Deck Mounted Tap Projection: 175mm

## TECHNICAL DATA

Bowl height	115.00 mm
Bowl width	290.00 mm
Bowl depth	1,690.00 mm
Gross weight	18.00 kg
Material	Stainless steel
Material code	1.4301 Chrome Nickel steel V2A
Material thickness	1.20 mm
Net weight	15.00 kg
Number of waste holes	1
Overall depth	415.00 mm
Overall height	215.00 mm
Overall width	1,800.00 mm
Rear upstand	Yes
Splash back	component of another part
Surface finish	satin finished
Number of tap holes	3
Type of mounting	Wall mounting
Waste hole position	Centre
Waste hole projection	220.00 mm
Waste kit included	No
Waste size	DN 50
Product code	203.0000.191

