

# Popular and EcoChill Bottle Coolers

from **autonumis**

A range of premium, high performance, low energy, Bottle Coolers for busy pubs and bars

- Generous internal capacity – holds three layers of premium beers
- Big capacity compressor for fast pull down times
- Built in evaporator fan for even bottle temperature distribution
- Adjustable digital thermostat for accurate temperature control
- Reverse ducted condenser fan for enhanced refrigeration life and dust control
- Foam injected carcass for great thermal insulation and cabinet strength
- Clean and green – CFC-free and ozone friendly
- Fully illuminated (LED) maximised display area – looks great in busy bars



## Available options:

- Single, 3 foot double or maxi-double sized cabinets
- Swing or sliding door models
- Doors and cabinet both available in stainless steel



## Save energy with the EcoChill range

Incorporating low energy technology to save up to **30% more energy** than coolers of a similar performance



# Popular and EcoChill Bottle Coolers

from **autonumis**

## Additional features

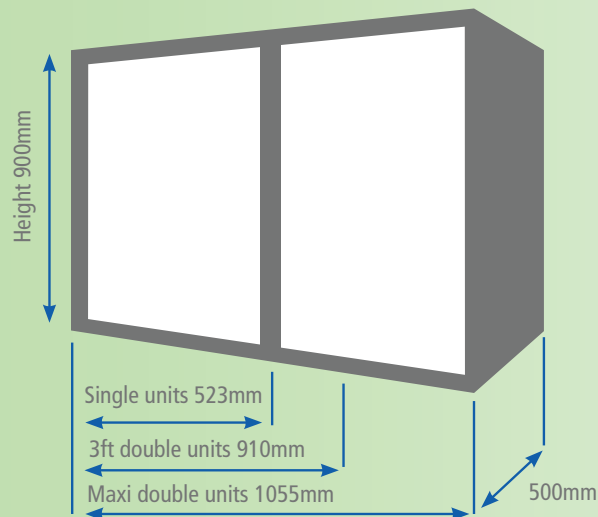
- Fully adjustable shelving with black finish as standard
- Interior of cabinet finished in light reflective aluminium
- Convert the cabinet to a wine fridge using wine racks available as spares
- Illumination can be switched off independently from cooling to save power

## Capacities

The following shows the minimum capacities that we would expect to be able to achieve from our bottle coolers:

MODEL TYPE	330ml BOTTLES	330ml CANS
Single door integral	87	144
3ft. double door integral	174	288
Maxi double door integral	240	320

## Actual dimensions



## Space required

Height:		925mm
Depth:		500mm
	sliding doors	520mm
Width:	single door	525mm
	3ft double door	915mm
	maxi double door	1060mm

**NB:** Height (above) includes space for air circulation



Q 06134

