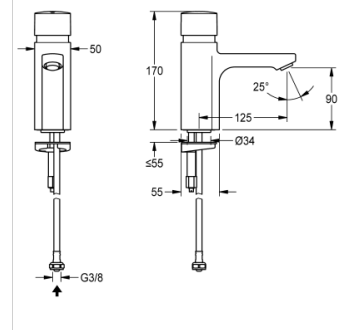


SELF-CLOSING PILLAR TAP

F5SV1001 | 2030036165

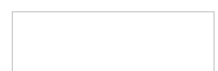
PRODUCT GROUP (PG) : Taps | ARTICLE FAMILY (AF) : Self closing tap | ARTICLE GROUP (AG) : F5SV1001 ++ |
MODEL RANGE : F5 | LIFECYCLE : New



F5S self-closing pillar tap DN 15 for sanitary facilities. FRAMIC self-closing cartridge, hydraulically controlled, low-maintenance and stagnation-free, with ceramic disc technology, self-closing, flow pressure-independent due to medium-separated design. Stepless adjustment of flow duration. For connection to pre-mixed hot water or cold water via hose including strainer seal. All-metal construction, high-polished chromium-plated brass. Anti-theft aerator, SLIM design, with integrated flow regulator 5.0 l/min.

TECHNICAL DATA

Gross Weight	1.72 kg
Net Weight	1.60 kg
Functional Principle	HYDRALIC-C
Type Of Mixing	NO
Type Of Mounting	TAPHOLE
Type Of Tap	PILLAR-TAB
Calculation Flow Rate Cold Water	0.15 liter per seconds
Depressurised	NO
Adjustable Flow Time	YES
Diameter Nominal	DN-15-1-2INH
Material Fitting	BRASS
Maximum Flow Time	60 s
Minimum Flow Pressure	0.50 bar
Minimum Flow Time	5 s
Protective Shutdown	NO
Sound Insulation	NO
Spout Projection	125.00 mm
Surface Finish Fitting	CHROMISED
Thermal Disinfection	NO
Type Of Operation	MANUAL-OPERATION
Volume Flow Rate At 3 Bar	0.08 liter per seconds
Inlet Size	G3-8
Hygiene Flushing	NO

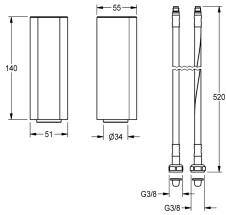


SELF-CLOSING PILLAR TAP

F5SV1001 | 2030036165

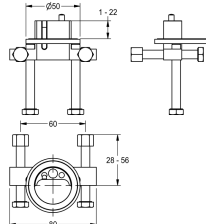
PRODUCT GROUP (PG) : **Taps** | ARTICLE FAMILY (AF) : **Self closing tap** | ARTICLE GROUP (AG) : **F5SV1001 ++** |
MODEL RANGE : **F5** | LIFECYCLE : **New**

ACCESSORIES



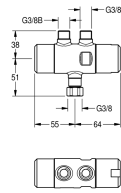
SOCKET

2030041519



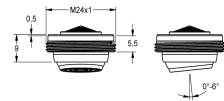
TWIST-PROOF SET

2030035383



THERMOSTATIC MIXING VALVE

2030012758



AERATOR 5.0 L/MIN

2030041326

