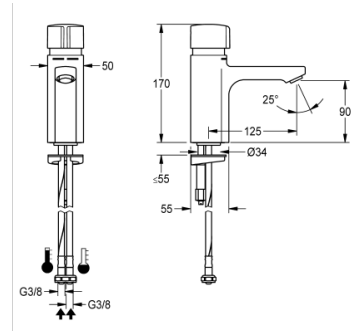


SELF-CLOSING PILLAR MIXER

F5SM1001 | 2030036163

PRODUCT GROUP : Taps | ARTICLE FAMILY : Self closing taps | ARTICLE GROUP : F5SM1001 ++ | LIFECYCLE : New |
 MODEL RANGE : F5



F5S-Mix self-closing pillar mixer DN 15 as single-mixer tap for sanitary facilities. FRAMIC self-closing mixing cartridge, hydraulically controlled, low-maintenance and stagnation-free, with ceramic disc technology, self-closing, flow pressure-independent due to medium-separated design. Stepless adjustment of flow duration. With adjustable, turn-proof temperature stop. For connection to hot water and cold water via hoses with integrated backflow preventer and strainers. All-metal construction, high-polished chromium-plated brass. Anti-theft aerator, SLIM design, with integrated flow regulator 5.0 l/min.

TECHNICAL DATA

Gross weight	1.76 kg
Net weight	1.66 kg
Functional principle	hydraulic self-closing
Type of mixing	with mixer
Type of mounting	TAPHOLE
Type of tap	pillar tap
calculation flow rate cold water	0.07 liter per second
calculation flow rate hot water	0.07 liter per second
depressurised	no
adjustable flow time	yes
Diameter nominal	DN 15
Material fitting	brass
maximum flow time	60.00 seconds
minimum flow pressure	0.50 bar
minimum flow time	5.00 seconds
protective shutdown	no
spout projection	125.00 mm
Surface finish fitting	chromed
thermal disinfection	no
Type of operation	manual operation
volume flow rate at 3 bar	0.08 liter per second
Inlet size	G3-8
Sound insulation	no
hygiene flushing	no
Product code	208.0519.521

