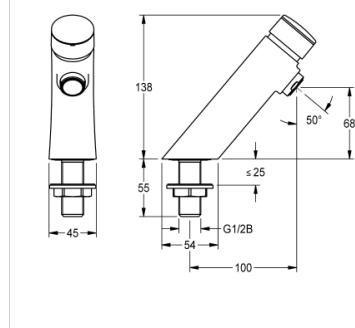


# SELF-CLOSING PILLAR TAP

F3SV1001 | 2030034410

PRODUCT GROUP : Taps | ARTICLE FAMILY : Self closing taps | ARTICLE GROUP : F3SV1001 ++ | MODEL RANGE : F3 | LIFECYCLE : New



F3S Self-closing pillar tap DN 15 for sanitary facilities. Self-closing cartridge, hydraulically controlled, piston-free design, self-closing, stepless adjustment of flow duration. For connection to pre-mixed hot water or cold water. Casing, high-polished chromium-plated brass. Aerator with an integrated flow regulator 3.0 l/min.

## TECHNICAL DATA

Gross weight	0.95 kg
Net weight	0.90 kg
Functional principle	hydraulic self-closing
Type of mixing	no mixing
Type of mounting	TAPHOLE
Type of tap	pillar tap
depressurised	no
adjustable flow time	yes
Diameter nominal	DN 15
Material fitting	brass
maximum flow time	20.00 seconds
minimum flow pressure	1.00 bar
minimum flow time	5.00 seconds
protective shutdown	no
spout projection	100.00 mm
Surface finish fitting	chromed
thermal disinfection	no
Type of operation	manual operation
volume flow rate at 3 bar	0.05 liter per second
Inlet size	G 1/2 B
Sound insulation	no
hygiene flushing	no
Product code	208.0519.518

